

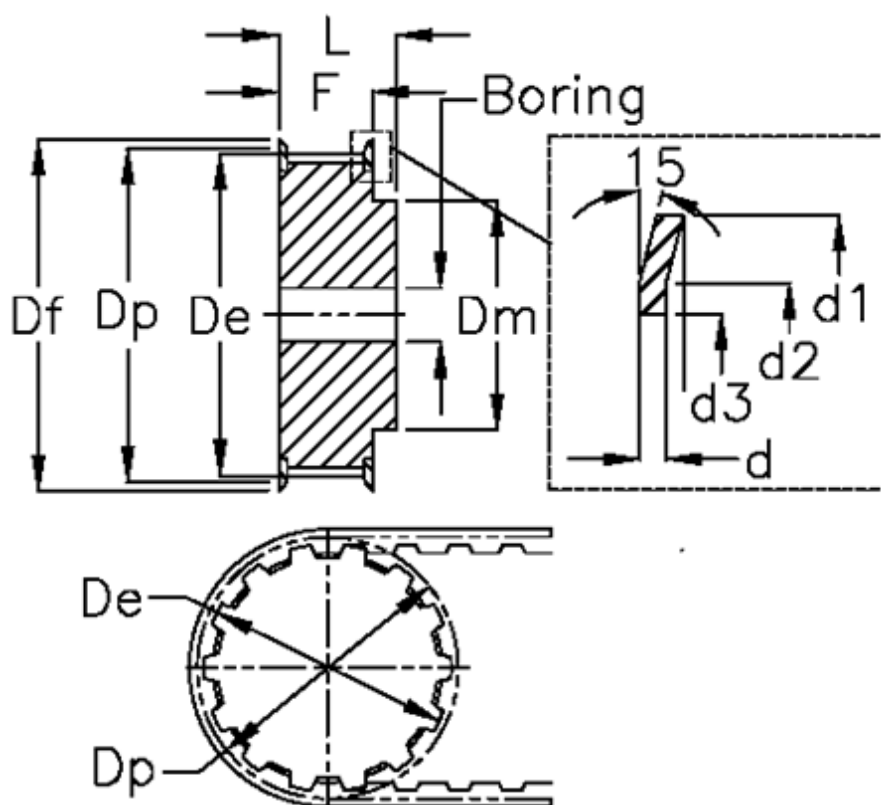
Data Sheet



Article number: 604140020006

Description: Timing belt pulley with hub
HTD 20 3M 6

Measures



Bore = 6	Dp = 19.1
d = 0.5	F = 9.8
d1 = 23	Flange type = F07
d2 = 18	L = 17.5
d3 = 12.5	Tooth number = 20
De = 18.34	Type = 3M
Df = 23	Weight = -
Dm = 13	Width = 06